



## The Strength of American Ingenuity

The Breeze Brand introduced, pioneered, and has been supplying perforated worm-drive hose clamps for over 65 years. With a comprehensive product line of OEM preferred worm-drive, T-Bolt, V-Band, and specialty clamps, Breeze joining products are ideal for the demands of the aftermarket, as well. Breeze clamps are proudly designed, engineered, tested, and manufactured in America.



residential



commercial



passenger



infrastructure



industrial

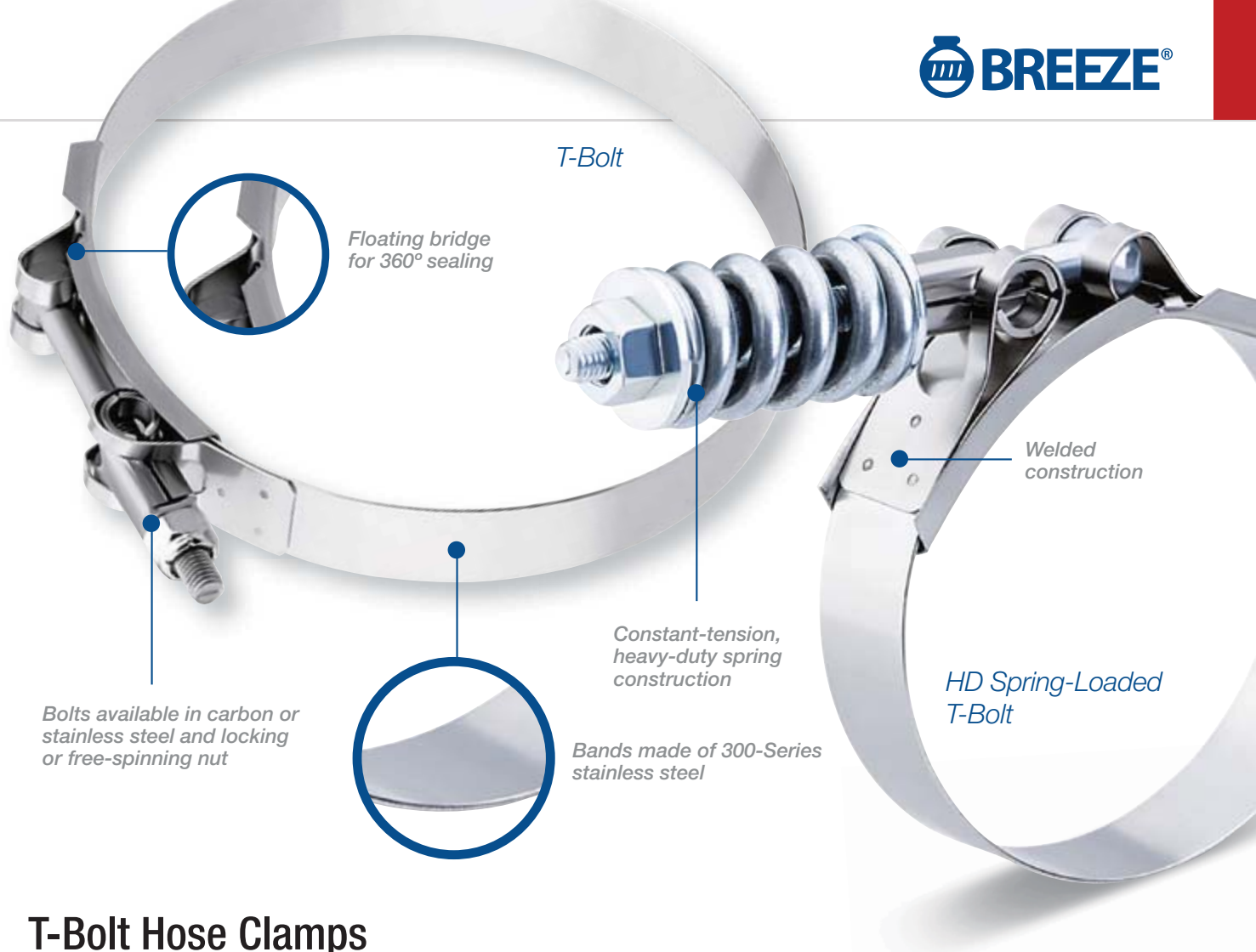




## Worm-Drive Hose Clamps

Breeze pioneered the worm-drive hose clamp over 65 years ago, and we remain one of the world's foremost producers and innovators of worm-drive clamps for automotive, industrial, and marine applications. Breeze worm-drive hose clamps offer a wide range of diameters to meet your requirements and are available with a variety of screw types, housings, and materials to satisfy the needs of nearly any application.





T-Bolt

Floating bridge for 360° sealing

Welded construction

Constant-tension, heavy-duty spring construction

HD Spring-Loaded T-Bolt

Bolts available in carbon or stainless steel and locking or free-spinning nut

Bands made of 300-Series stainless steel

## T-Bolt Hose Clamps

Breeze T-Bolt hose clamps demonstrate the perfect blend of high-strength durability and installation ease. Available in several styles – including standard and heavy-duty spring versions – Breeze T-Bolts are the industry standard for automotive, industrial, and marine uses. A full range of diameter sizes and a wide variety of material choices make Breeze T-Bolts the clear choice for nearly any operational environment.



Constant-tension, standard spring construction

Floating bridge for 360° loading

Spring-Loaded T-Bolt



Merchandisers

See pages 38-39



*Belleville spring mechanism provides compensating diameter adjustment*

*Inner liner for additional hose protection*

*Constant-Torque® AS*

*300-Series stainless steel band*

*Constant-Torque® HD*

*Patented band design acts as its own integral spring*

*Super-Seal HD*

*Super-Seal*

## Constant-Tension Hose Clamps

Product development innovation has been a Breeze tradition from the very beginning. Nowhere is this more evident than in the Breeze constant-tension hose clamps that maintain performance when there are changes in hose diameter due to fluctuations in operational or environmental temperature.



# V-Band Clamps

Breeze V-Band clamps are designed for flanged joint connections in demanding environments, like heavy-duty diesel exhaust and turbochargers. Available in T-Bolt, Hi-Torque and Aero-Seal design options, Breeze V-Band clamps come in two- and three-segment configurations to provide high-strength joints with positive sealing integrity in a variety of applications.



300-Series stainless steel band and insert



This image shows a smaller, two-segment V-Band clamp. It features a locking mechanism with a T-bolt and nut. Callouts point to the stainless steel band, the locking mechanism, and the welded construction of the band segments.

Available in T-Bolt, Hi-Torque, and Aero-Seal designs

Locking and free-spinning nut options

Welded construction

# Specialty Clamps

Breeze Aerospace, 'Mil'-Spec, and Jet Aero-Seal® clamps are designed to meet the demanding specifications of military and aerospace applications. These clamps feature corrosion-resistant stainless steel construction and are available in a wide variety of diameter ranges, screw styles, and band widths, and can be modified and customized to meet the unique needs of specialty applications.



## Product Portfolio Quick Reference



### Mini

- | 5/16" Band Width
- | Diameter Range 7/32"– 2 1/2"
- | Plated, 410, 300-Series SS & 316 Stainless Steel
- | SAE Standard J1508 Type M

Page 18



### Make-A-Clamp®

- | 1/2" Band Width, 9/16" Fasteners
- | Continuous Roll of Banding
- | 410 Stainless Steel Screw
- | Various Kit Combinations

Page 21



### Fuel Injection

- | 9mm Band Width
- | Diameter Range 10.5–15.5mm
- | Plated Combi-Slot Hex Screw
- | For All OEM Applications

Page 18



### Aero-Seal®

- | 9/16" Band Width
- | Diameter Range 7/16"– 12 1/4"
- | Three Screw Options
- | SAE Standard J1508 Type F

Pages 22-23



### Power-Seal®

- | 1/2" Band Width
- | Diameter Range 7/16"– 7"
- | Plated, 410, 300-Series SS & 316 Stainless Steel
- | SAE Standard J1508 Type F

Page 19



### Jet Aero-Seal®

- | 9/16" Band Width
- | Diameter Range 9/16"– 12 1/4"
- | All 300-Series SS
- | Quadra-Lock Construction

Page 24



### Liner

- | 1/2" Band Width
- | Diameter Range 7/16"– 7"
- | Plated, 410 Stainless Steel
- | SAE Standard J1508 Type F

Page 20



### Aerospace & 'Mil' Spec

- | 9/16" Band Width
- | Diameter Range 7/16"– 10 5/16"
- | Federal Supply Class 4730
- | SAE Standard J1508 Low Pressure Type F

Page 25





### Hi-Torque

- | 5/8" Band Width
- | Diameter Range 1"– 9 1/8"
- | 410, 300-Series SS & 316 Stainless Steel Screw
- | SAE Standard J1508 Type HD

Page 26



### T-Bolt

- | 3/4" Band Width
- | Diameter Range 1 1/4"– 8 13/16"
- | Plated or 300-Series SS Bolt
- | SAE Standard J1508 Type TB

Page 29



### Constant-Torque® AS

- | 9/16" Band Width
- | Diameter Range 9/16"– 3 3/4"
- | 410 Stainless Steel Screw
- | SAE Standard J1508 Type SLF

Page 27



### Spring-Loaded T-Bolt

- | 3/4" Band Width
- | Diameter Range 1 3/4"– 7 13/16"
- | Standard-Duty Spring
- | SAE Standard J1508 Type SLTB

Page 30



### Constant-Torque® HD

- | 5/8" Band Width
- | Diameter Range 1"– 9 1/8"
- | Plated or 410 Stainless Steel Screw
- | SAE Standard J1508 Type SLHD

Page 27



### HD Spring-Loaded T-Bolt

- | 3/4" Band Width
- | Diameter Range 2 1/16"– 8 5/8"
- | Heavy-Duty Spring
- | SAE Standard J1508 Type SLTB

Page 31



### Super-Seal / Super-Seal HD

- | Worm-Drive Closure
- | Diameter Range 1.42"– 4.64"
- | Plated or 410 Stainless Steel Screw
- | HD includes Ten Belleville Washers

Page 28



### V-Band

- | TB, AS, and Quick-Latch Styles
- | Nominal Diameter Range 2.11"– 14"
- | 400-Series SS Bolt/Screw
- | 40 Degree Insert Angle

Pages 32-33

# Breeze Mini



A lightweight, streamlined hose clamp generally used in small-diameter applications, such as air and fuel lines.

5/16" Band with Arcial Perforations | Three-Piece Construction | SAE Standard J1508 Type M | Diameter Range 7/32" – 2 1/2"

### 3500 MINI

1/4" Plated Hex Screw  
5/16" Band in 300-Series SS  
One-Piece Housing in 300-Series SS

### 3600 MINI

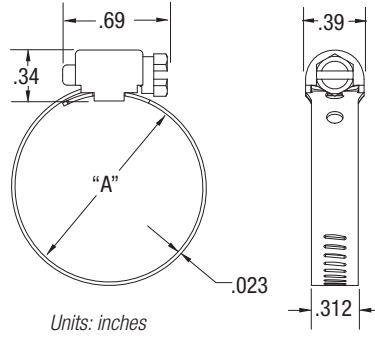
1/4" 410 Stainless Steel Hex Screw  
5/16" Band in 300-Series SS  
One-Piece Housing in 300-Series SS

### 3700 MINI

1/4" 300-Series SS Hex Screw  
5/16" Band in 300-Series SS  
One-Piece Housing in 300-Series SS

### 3800 MINI

1/4" 316 Stainless Steel Hex Screw  
5/16" Band in 316 Stainless Steel  
One-Piece Housing in 316 Stainless Steel



SAE	3500 MINI		3600 MINI		3700 MINI		3800 MINI		inches (A)		mm	
	Brand PN	Global PN	Brand PN	Global PN	Brand PN	Global PN	Brand PN	Global PN	min	max	min	max
4	3504	0360 0102 011	3604	0360 0103 011	3704	0360 0104 011	3804	0360 0105 011	7/32	5/8	6	16
6	3506	0360 0102 016	3606	0360 0103 016	3706	0360 0104 016	3806	0360 0105 016	7/16	25/32	11	20
8	3508	0360 0102 018	3608	0306 0103 018	3708	0360 0104 018	3808	0360 0105 018	1/2	29/32	13	23
10	3510	0360 0102 021	3610	0306 0103 021	3710	0360 0104 021	3810	0360 0105 021	9/16	1 1/16	14	27
12	3512	0360 0102 025	3612	0306 0103 025	3712	0360 0104 025	3812	0360 0105 025	11/16	1 1/4	17	32
16	3516	0360 0102 031	3616	0306 0103 031	3716	0360 0104 031	3816	0360 0105 031	15/16	1 1/2	24	38
20	3520	0360 0102 037	3620	0306 0103 037	3720	0360 0104 037	3820	0360 0105 037	1 3/16	1 3/4	30	44
24	3524	0360 0102 044	3624	0306 0103 044	3724	0360 0104 044	3824	0360 0105 044	1 7/16	2	37	51
28	3528	0360 0102 050	3628	0306 0103 050	3728	0360 0104 050	3828	0360 0105 050	1 11/16	2 1/4	43	57
32	3532	0360 0102 057	3632	0306 0103 057	3732	0360 0104 057	3832	0360 0105 057	1 15/16	2 1/2	49	64

# Breeze Fuel Injection



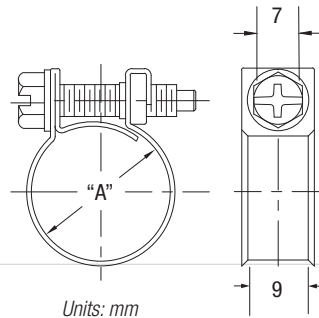
A small-diameter clamp for automotive fuel injection hoses; approved for all OEM applications.

Socket or Screwdriver Adjustable | SAE Standard J1508 Type FE | Diameter Range 10.5mm–15.5mm

### FUEL INJECTION

Zinc-Plated Combi-Slot Hex Head Screw  
9mm Band in Plated Steel  
Clamp Secured Nut

FUEL INJECTION		inches		mm (A)	
Brand PN	Global PN	min	max	min	max
FI 4 PB	0363 0000 012	0.41	0.49	10.5	12.5
FI 5 PB	0363 0000 014	0.49	0.57	12.5	14.5
FI 6 PB	0363 0000 015	0.53	0.61	13.5	15.5



# Breeze Power-Seal®



A general purpose automotive and industrial worm-drive hose clamp with arcial perforations for added strength.

1/2" Band with Arcial Perforations | Quadra-Lock Construction | SAE Standard J1508 Type F | Diameter Range 7/16" – 7"

## 62000 POWER-SEAL

5/16" Plated Hex Screw  
1/2" Band in 300-Series SS  
Two-Piece Housing in 300-Series SS

## 64000 POWER-SEAL

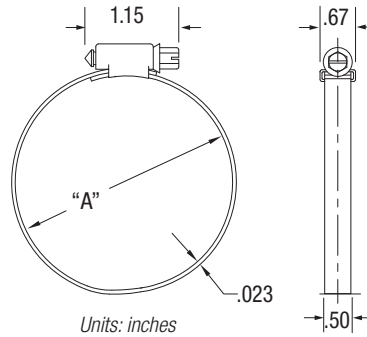
5/16" 410 Stainless Steel Hex Screw  
1/2" Band in 300-Series SS  
Two-Piece Housing in 300-Series SS

## 63000 POWER-SEAL

5/16" 300-Series SS Hex Screw  
1/2" Band in 300-Series SS  
Two-Piece Housing in 300-Series SS

## 66000 POWER-SEAL

5/16" 316 Stainless Steel Hex Screw  
1/2" Band in 316 Stainless Steel  
Two-Piece Housing in 316 Stainless Steel



SAE	62000 POWER-SEAL		64000 POWER-SEAL		63000 POWER-SEAL		66000 POWER-SEAL		inches (A)		mm	
	Brand PN	Global PN	Brand PN	Global PN	Brand PN	Global PN	Brand PN	Global PN	min	max	min	max
6	62006H	0361 0114 016	64006H	0361 0116 016	63006H	0361 0115 016	66006H	0361 0117 016	7/16	25/32	11	20
8	62008H	0361 0114 018	64008H	0361 0116 018	63008H	0361 0115 018	66008H	0361 0117 018	1/2	29/32	13	23
10	62010H	0361 0114 021	64010H	0361 0116 021	63010H	0361 0115 021	66010H	0361 0117 021	9/16	1 1/16	14	27
12	62012H	0361 0114 025	64012H	0361 0116 025	63012H	0361 0115 025	66012H	0361 0117 025	11/16	1 1/4	17	32
16	62016H	0361 0114 030	64016H	0361 0116 030	63016H	0361 0115 030	66016H	0361 0117 030	13/16	1 1/2	21	38
20	62020H	0361 0114 033	64020H	0361 0116 033	63020H	0361 0115 033	66020H	0361 0117 033	13/16	1 3/4	21	44
24	62024H	0361 0114 039	64024H	0361 0116 039	63024H	0361 0115 039	66024H	0361 0117 039	1 1/16	2	27	51
28	62028H	0361 0114 045	64028H	0361 0116 045	63028H	0361 0115 045	66028H	0361 0117 045	1 5/16	2 1/4	33	57
32	62032H	0361 0114 052	64032H	0361 0116 052	63032H	0361 0115 052	66032H	0361 0117 052	1 9/16	2 1/2	40	64
36	62036H	0361 0114 058	64036H	0361 0116 058	63036H	0361 0115 058	66036H	0361 0117 058	1 13/16	2 3/4	46	70
40	62040H	0361 0114 053	64040H	0361 0116 053	63040H	0361 0115 053	66040H	0361 0117 064	2 1/16	3	52	76
44	62044H	0361 0114 059	64044H	0361 0116 059	63044H	0361 0115 059	66044H	0361 0117 071	2 5/16	3 1/4	59	83
48	62048H	0361 0114 065	64048H	0361 0116 065	63048H	0361 0115 065	66048H	0361 0117 077	2 9/16	3 1/2	65	89
52	62052H	0361 0114 072	64052H	0361 0116 072	63052H	0361 0115 072	66052H	0361 0117 083	2 13/16	3 3/4	71	95
56	62056H	0361 0114 083	64056H	0361 0116 083	63056H	0361 0115 083	66056H	0361 0117 090	3 1/16	4	78	102
60	62060H	0361 0114 084	64060H	0361 0116 084	63060H	0361 0115 084	66060H	0361 0117 096	3 5/16	4 1/4	84	108
64	62064H	0361 0114 091	64064H	0361 0116 091	63064H	0361 0115 091	66064H	0361 1097 102	3 9/16	4 1/2	91	114
72	62072H	0361 0114 088	64072H	0361 0116 088	63072H	0361 0115 088	66072H	0361 0117 088	1 7/8	5	48	127
80	62080H	0361 0114 102	64080H	0361 0116 102	63080H	0361 0115 102	66080H 5P	0361 1093 127	2 1/2	5 1/2	64	140
88	62088H	0361 0114 116	64088H	0361 0116 116	63088H	0361 0115 116	66088H 5P	0361 0117 116	3 1/8	6	79	152
96	62096H	0361 0114 129	64096H	0361 0116 129	63096H	0361 0115 129	66096H 5P	0361 1090 152	3 5/8	6 1/2	92	165
104	62104H	0361 0114 141	64104H	0361 0116 142	63104H	0361 0115 142	66104H 5P	0361 0117 142	4 1/8	7	105	178



# Breeze Liner



Liner clamps afford maximum protection to soft hoses while providing a true concentric seal.

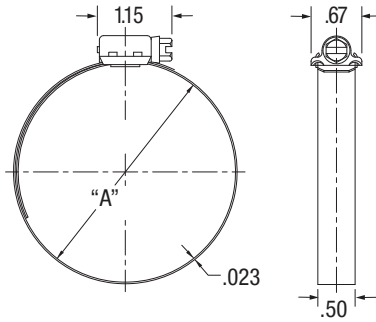
1/2" Lined Band | Quadra-Lock Construction | SAE Standard J1508 Type F | Larger Sizes have 9/16" Band | Diameter Range 7/16" – 7"

## 9200 LINER

- 5/16" Plated Hex Screw
- 1/2" Lined Band in 300-Series SS
- Two-Piece Housing in 300-Series SS

## 9400 LINER

- 5/16" 410 Stainless Steel Hex Screw
- 1/2" Lined Band in 300-Series SS
- Two-Piece Housing in 300-Series SS



Units: inches



SAE	9200 LINER		9400 LINER		inches (A)		mm	
	Brand PN	Global PN	Brand PN	Global PN	min	max	min	max
6	9206H	0361 0200 016	9406H	0361 0202 016	7/16	25/32	11	20
8	9208H	0361 0200 018	9408H	0361 0122 018	1/2	29/32	13	23
10	9210H	0361 0200 021	9410H	0361 0122 021	9/16	1 1/16	14	27
12	9212H	0361 0200 025	9412H	0361 0122 025	11/16	1 1/4	17	32
16	9216H	0361 0200 030	9416H	0361 0122 030	13/16	1 1/2	21	38
20	9220H	0361 0200 033	9420H	0361 0122 033	13/16	1 3/4	21	44
24	9224H	0361 0200 039	9424H	0361 0122 039	1 1/16	2	27	51
28	9228H	0361 0200 045	9428H	0361 0122 045	1 5/16	2 1/4	33	57
32	9232H	0361 0200 052	9432H	0361 0122 052	1 9/16	2 1/2	40	64
36	9236H	0361 0200 058	9436H	0361 0122 058	1 13/16	2 3/4	46	70
40	9240H	0361 0200 064	9440H	0361 0122 064	2 1/16	3	52	76
44	9244H	0361 0200 071	9444H	0361 0122 071	2 5/16	3 1/4	59	83
48	9248H	0361 0200 077	9448H	0361 0122 077	2 9/16	3 1/2	65	89
52	9252H	0361 0200 083	9452H	0361 0122 083	2 13/16	3 3/4	71	95
56	9256H	0361 0200 090	9456H	0361 0122 090	3 1/16	4	78	102
60	9260H	0361 0200 096	9460H	0361 0122 096	3 5/16	4 1/4	84	108
64	9264H	0361 0200 103	9464H	0361 0122 103	3 9/16	4 1/2	91	114
72	9272H	0361 0200 116	9472H	0361 0122 116	4 1/8	5	105	127
80	9280H	0361 0200 129	9480H	0361 0122 129	4 5/8	5 1/2	117	140

### LINER – 9/16" BAND

88	9288	0360 0550 141	9488	0360 0560 141	5 1/8	6	130	152
96	9296	0360 0550 154	9496	0360 0560 154	5 5/8	6 1/2	143	165
104	92104	0361 0550 142	94104	0361 0560 142	6 1/8	7	156	178

# Breeze Make-A-Clamp<sup>®</sup>

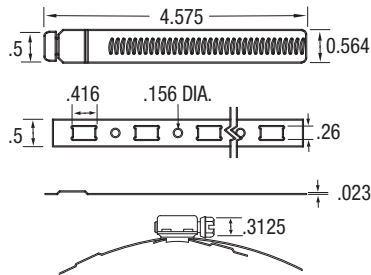


A maintenance "clamp system" that allows you to make any size 100% stainless steel worm-drive clamp.

1/2" Wide Continuous Roll of Banding Material | 9/16" Wide Fasteners | 100% Stainless Steel | Custom Diameter Ranges

## MAKE-A-CLAMP 4000

410 Stainless Steel Hex Screw  
300-Series SS Band and Housing  
Worm-Drive Clamp with Arcial Perforations  
Various Kit Combinations Available



Units: inches



MAKE-A-CLAMP 4000		Kit Sizes And Descriptions
Brand PN	Global PN	
4000	0364 0200 025	Mini Kit: 8-1/2 Ft. Band, 3 Adjustable Fasteners, 1 Band Splice
4001	0364 0201 003	Kit with 100 Ft. Band, 25 Adjustable Fasteners, 10 Band Splices
4002	0364 0202 030	Kit with 50 Ft. Band, 10 Adjustable Fasteners, 5 Band Splices
4003	0364 0203 125	Box of 25 Adjustable Fasteners
4004	0364 0204 100	Box of 10 Adjustable Fasteners
4005	0364 0205 300	Box with 100 Ft. Band, 10 Band Splices
4006	0364 0206 000	Box with 50 Ft. Band, 5 Band Splices
4007	0364 0207 050	6" Demonstrator Clamp System
4008	0364 0208 000	Box of 10 Band Splices

# Breeze Aero-Seal®



The original perforated stainless steel worm-drive clamp for aircraft and industrial applications.

9/16" Band with Arcial Perforations | Quadra-Lock Construction | Per SAE Standard J1508 Type F | Diameter Range 7/16" – 12 1/4"

### 100 AERO-SEAL

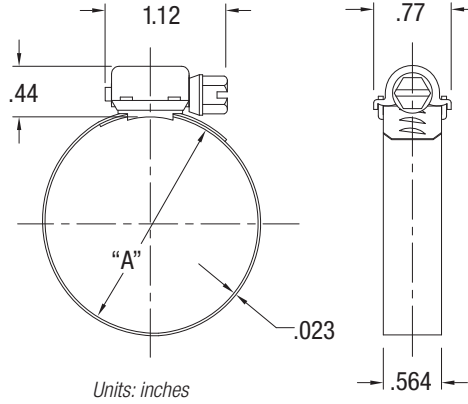
- 5/16" Plated Hex Screw
- 9/16" Band in 300-Series SS
- Two-Piece Housing in 300-Series SS

### 200 AERO-SEAL

- 5/16" 410 Stainless Steel Hex Screw
- 9/16" Band in 300-Series SS
- Two-Piece Housing in 300-Series SS

### 300 AERO-SEAL

- 5/16" 300-Series SS Hex Screw
- 9/16" Band in 300-Series SS
- Two-Piece Housing in 300-Series SS



SAE	100 AERO-SEAL		200 AERO-SEAL		300 AERO-SEAL		inches (A)		mm	
	Brand PN	Global PN	Brand PN	Global PN	Brand PN	Global PN	min	max	min	max
6	100 06 H	0360 0000 016	200 06 H	0360 0020 016	300 06 H	0360 0030 016	7/16	25/32	11	20
8	100 08 H	0360 0000 018	200 08 H	0360 0020 018	300 08 H	0360 0030 018	1/2	29/32	13	23
10	100 10 H	0360 0000 021	200 10 H	0360 0020 021	300 10 H	0360 0030 021	9/16	1 1/16	14	27
12	100 12 H	0360 0000 025	200 12 H	0360 0020 025	300 12 H	0360 0030 025	11/16	1 1/4	17	32
16	100 16 H	0360 0000 030	200 16 H	0360 0020 030	300 16 H	0360 0030 030	13/16	1 1/2	21	38
20	100 20 H	0360 0000 033	200 20 H	0360 0020 033	300 20 H	0360 0030 033	13/16	1 3/4	21	44
24	100 24 H	0360 0000 039	200 24 H	0360 0020 039	300 24 H	0360 0030 039	1 1/16	2	27	51
28	100 28 H	0360 0000 045	200 28 H	0360 0020 045	300 28 H	0360 0030 046	1 5/16	2 1/4	33	57
32	100 32 H	0360 0000 052	200 32 H	0360 0020 052	300 32 H	0360 0030 052	1 9/16	2 1/2	40	64
36	100 36 H	0360 0000 058	200 36 H	0360 0020 058	300 36 H	0360 0030 058	1 13/16	2 3/4	46	70
40	100 40 H	0360 0000 064	200 40 H	0360 0020 064	300 40 H	0360 0030 064	2 1/16	3	52	76
44	100 44 H	0360 0000 071	200 44 H	0360 0020 071	300 44 H	0360 0030 071	2 5/16	3 1/4	59	83
48	100 48 H	0360 0000 077	200 48 H	0360 0020 077	300 48 H	0360 0030 077	2 9/16	3 1/2	65	89
52	100 52 H	0360 0000 083	200 52 H	0360 0020 083	300 52 H	0360 0030 083	2 13/16	3 3/4	71	95
56	100 56 H	0360 0000 090	200 56 H	0360 0020 090	300 56 H	0360 0030 090	3 1/16	4	78	102
60	100 60 H	0360 0000 096	200 60 H	0360 0020 096	300 60 H	0360 0030 096	3 5/16	4 1/4	84	108
64	100 64 H	0360 0010 103	200 64 H	0360 0020 103	300 64 H	0360 0030 103	3 9/16	4 1/2	91	114
72	100 72 H	0360 0000 088	200 72 H	0360 0020 088	300 72 H	0360 0030 088	1 7/8	5	48	127
80	100 80 H	0360 0000 102	200 80 H	0360 0020 102	300 80 H	0360 0030 102	2 1/2	5 1/2	64	140
88	100 88 H	0360 0000 116	200 88 H	0360 0020 116	300 88 H	0360 0030 116	3 1/8	6	79	152
96	100 96 H	0360 0000 129	200 96 H	0360 0020 129	300 96 H	0360 0030 129	3 5/8	6 1/2	92	165
104	100 104 H	0360 0000 142	200 104 H	0360 0020 142	300 104 H	0360 0030 142	4 1/8	7	105	178
128	100 128 H	0360 0000 180	200 128 H	0360 0020 180	300 128 H	0360 0030 180	5 5/8	8 1/2	143	216
152	100 152 H	0360 0000 218	200 152 H	0360 0020 218	300 152 H	0360 0030 218	7 1/8	10	181	254
188	100 188 H	0360 0000 275	200 188 H	0360 0020 275	300 188 H	0360 0030 275	9 3/8	12 1/4	238	311



# Breeze Aero-Seal<sup>®</sup> Specialty Screw

The original perforated stainless steel worm-drive clamp for aircraft and industrial applications.



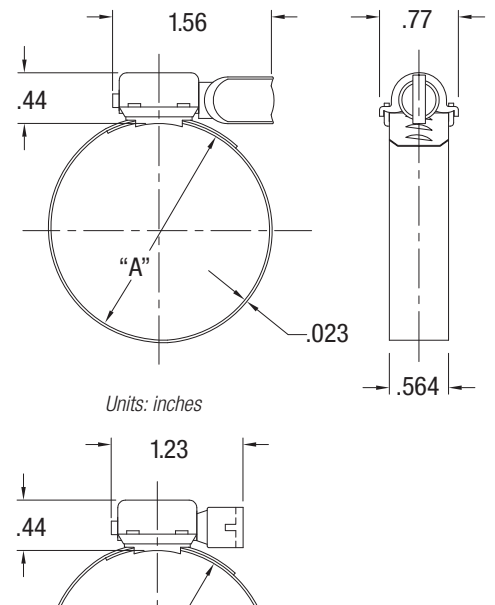
Thumb Wing or Safety Screw Options | Quadra-Lock Construction | Per SAE Standard J1508 Type F | Diameter Range 7/16" – 12 1/4"

## 200 AERO-SEAL THUMB WING

5/16" 410 Stainless Steel Thumb Wing Screw  
9/16" Band in 300-Series SS  
Two-Piece Housing in 300-Series SS

## 200 AERO-SEAL SAFETY

5/16" 410 Stainless Steel Safety Screw  
9/16" Band in 300-Series SS  
Two-Piece Housing in 300-Series SS



Units: inches



SAE	200 AERO-SEAL THUMB WING		200 AERO-SEAL SAFETY		inches (A)		mm	
	Brand PN	Global PN	Brand PN	Global PN	min	max	min	max
6	200 06 W	0360 0022 016	200 06 S	0360 0021 016	7/16	25/32	11	20
8	200 08 W	0360 0022 018	200 08 S	0360 0021 018	1/2	29/32	13	23
10	200 10 W	0360 0022 021	200 10 S	0360 0021 021	9/16	1 1/16	14	27
12	200 12 W	0360 0022 025	200 12 S	0360 0021 025	11/16	1 1/4	17	32
16	200 16 W	0360 0022 030	200 16 S	0360 0021 030	13/16	1 1/2	21	38
20	200 20 W	0360 0022 033	200 20 S	0360 0021 033	13/16	1 3/4	21	44
24	200 24 W	0360 0022 039	200 24 S	0360 0021 039	1 1/16	2	27	51
28	200 28 W	0360 0022 045	200 28 S	0360 0021 045	1 5/16	2 1/4	33	57
32	200 32 W	0360 0022 052	200 32 S	0360 0021 052	1 9/16	2 1/2	40	64
36	200 36 W	0360 0022 058	200 36 S	0360 0021 058	1 13/16	2 3/4	46	70
40	200 40 W	0360 0022 064	200 40 S	0360 0021 064	2 1/16	3	52	76
44	200 44 W	0360 0022 071	200 44 S	0360 0021 071	2 5/16	3 1/4	59	83
48	200 48 W	0360 0022 077	200 48 S	0360 0021 077	2 9/16	3 1/2	65	89
52	200 52 W	0360 0022 083	200 52 S	0360 0021 083	2 13/16	3 3/4	71	95
56	200 56 W	0360 0022 090	200 56 S	0360 0021 090	3 1/16	4	78	102
60	200 60 W	0360 0022 096	200 60 S	0360 0021 096	3 5/16	4 1/4	84	108
64	200 64 W	0360 0000 091	200 64 S	0360 0021 103	3 9/16	4 1/2	91	114
72	200 72 W	0360 0006 048	200 72 S	0360 0021 088	1 7/8	5	48	127
80	200 80 W	0360 1022 102	200 80 S	0360 0021 102	2 1/2	5 1/2	64	140
88	200 88 W	0360 0002 079	200 88 S	0360 0021 116	3 1/8	6	79	152
96	200 96 W	0360 0022 129	200 96 S	0360 0021 129	3 5/8	6 1/2	92	165
104	200 104 W	0360 0001 142	200 104 S	0360 0021 142	4 1/8	7	105	178
128	200 128 W	0360 0002 143	200 128 S	0360 0021 180	5 5/8	8 1/2	143	216
152	200 152 W	0360 0022 218	200 152 S	0360 0021 218	7 1/8	10	181	254
188	200 188 W	0360 0001 238	200 188 S	0360 0021 275	9 3/8	12 1/4	238	311

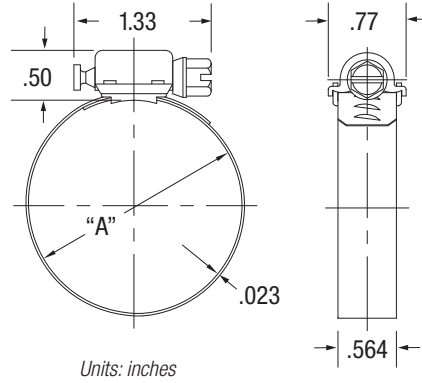
# Breeze Jet Aero-Seal®



A heavy-duty stainless steel worm-drive hose clamp designed for quick assembly in a variety of applications.

Arcial Perforations | Quick-Connect Fastener | All 300-Series Stainless Steel | Diameter Range 9/16" – 12 1/4"

**600 JET AERO-SEAL**  
Pivoting Hex Screw Assembly  
9/16" Band in 300-Series SS  
Two-Piece Housing



SAE	600 JET AERO-SEAL		inches (A)		mm	
	Brand PN	Global PN	min	max	min	max
10	600 10 H	0361 0600 021	9/16	1 1/16	14	27
12	600 12 H	0361 0600 025	11/16	1 1/4	17	32
16	600 16 H	0361 0600 030	13/16	1 1/2	21	38
20	600 20 H	0361 0600 033	13/16	1 3/4	21	44
24	600 24 H	0361 0000 051	1 1/16	2	27	51
28	600 28 H	0361 0600 045	1 5/16	2 1/4	33	57
32	600 32 H B	0361 0600 052	1 9/16	2 1/2	40	64
36	600 36 H	0361 0600 058	1 13/16	2 3/4	46	70
40	600 40 H	0361 0600 064	2 1/16	3	52	76
44	600 44 H	0361 0600 071	2 5/16	3 1/4	59	83
48	600 48 H	0361 1600 077	2 9/16	3 1/2	65	89
52	600 52 H	0361 0002 071	2 13/16	3 3/4	71	95
56	600 56 H	0361 0001 078	3 1/6	4	78	102
60	600 60 H	0361 0001 084	3 5/16	4 1/4	84	108
64	600 64 H	0361 0001 091	3 9/16	4 1/2	91	114
72	600 72 H B	0361 0600 088	1 7/8	5	48	127
80	600 80 H	0361 0001 064	2 1/2	5 1/2	64	140
88	600 88 H	0361 0600 116	3 1/8	6	79	152
96	600 96 H B	0361 0600 129	3 5/8	6 1/2	92	165
104	600 104 H B	0361 0600 143	4 1/8	7	105	178
128	600 128 H	0361 0600 180	5 5/8	8 1/2	143	216
152	600 152 H	0361 0600 218	7 1/8	10	181	254
188	600 188 H	0361 0600 275	9 3/8	12 1/4	238	311

Unique Quick-Connect design allows for tightening the band to desired position by sliding under the screw prior to engagement



# Breeze Aerospace and 'Mil' Spec



Military and aerospace clamps that meet federal supply class 4730.

All Stainless Steel | Meets Federal Supply Class 4730 | Diameter Range 7/16" – 10 5/16"

## AN737TW - AIRCRAFT

410 Stainless Steel Thumb Wing Screw  
9/16" Band in 300-Series SS  
Two-Piece Housing

## NAS1924

5/16" 300-Series SS Hex Screw  
9/16" Band in 300-Series SS  
Two-Piece Housing

## MS35842 - MILITARY ORDNANCE

5/16" 410 Stainless Steel Hex Screw  
9/16" Band in 300-Series SS  
SAE Standard J1508 Type F

## NAS1922 - LIGHTWEIGHT AIRCRAFT

1/4" 300-Series SS Screw  
Optional Lock Wire Hole  
Three-Piece Design



AN737TW AIRCRAFT		inches (A)		mm	
Brand PN	Global PN	min	max	min	max
AN737TW-22 B	0360 0300 014	7/16	11/16	11	17
AN737TW-24 B	0360 0300 016	1/2	3/4	13	19
AN737TW-26 B	0360 0300 017	9/16	13/16	14	21
AN737TW-30 B	0360 0300 021	11/16	15/16	17	24
AN737TW26-30 B	0360 0302 019	9/16	15/16	14	24
AN737TW-34 B	0360 0300 024	13/16	1 1/16	21	27
AN737TW-38 B	0360 0300 027	15/16	1 3/16	24	30
AN737TW34-38 B	0360 0300 025	13/16	1 3/16	21	30
AN737TW-44 B	0360 0300 030	61/64	1 3/8	24	35
AN737TW-46 B	0360 0300 031	1	1 7/16	25	37
AN737TW38-46 B	0360 0302 030	15/16	1 7/16	24	37
AN737TW-48 B	0360 0300 033	1 5/64	1 1/2	27	38
AN737TW44-48 B	0360 0302 031	61/64	1 1/2	24	38
AN737TW-56 B	0360 0300 039	1 21/64	1 3/4	34	44
AN737TW-58 B	0360 0300 040	1 3/8	1 13/16	35	46
AN737TW-66 B	0360 0300 047	1 5/8	2 1/16	41	52
AN737TW56-66 B	0360 0302 043	1 21/64	2 1/16	34	52
AN737TW-74 B	0360 0300 053	1 7/8	2 5/16	48	59
AN737TW66-74 B	0360 0302 050	1 5/8	2 5/16	41	59
AN737TW-82 B	0360 0300 060	2 1/8	2 9/16	54	65
AN737TW-91 B	0360 0300 067	2 13/32	2 27/32	61	72
AN737TW74-91 B	0360 0302 060	1 7/8	2 27/32	48	72
AN737TW-98 B	0360 0300 072	2 5/8	3 1/16	67	78
AN737TW-107 B	0360 0300 079	2 29/32	3 11/32	74	85
AN737TW-114 B	0360 0300 085	3 1/8	3 9/16	79	90
AN737TW98-114 B	0360 0302 079	2 5/8	3 9/16	67	90

MS35842 MILITARY ORDNANCE		inches (A)		mm	
Brand PN	Global PN	min	max	min	max
MS35842-10 B	0360 1400 015	7/16	25/32	11	20
MS35842-11 B	0360 1400 025	11/16	1 1/4	17	32
MS35842-12 B	0360 1400 039	1 1/16	2	27	51
MS35842-13 B	0360 1400 058	1 13/16	2 3/4	46	70
MS35842-14 B	0360 1400 077	2 9/16	3 1/2	65	89
MS35842-15 B	0360 1400 096	3 5/16	4 1/4	84	108
MS35842-16 B	0360 1400 141	4 1/8	7	105	178

NAS1922 LIGHTWEIGHT AIRCRAFT		inches (A)		mm	
Brand PN	Global PN	min	max	min	max
NAS1922-0050-3	0360 0230 013	0.43	0.63	11	16
NAS1922-0075-3	0360 0230 018	0.55	0.87	14	22
NAS1922-0100-3	0360 0230 023	0.71	1.10	18	28
NAS1922-0125-3	0360 0230 030	0.94	1.42	24	36
NAS1922-0150-3	0360 0230 035	0.98	1.77	25	45
NAS1922-0175-3	0360 0230 042	1.26	2.05	32	52
NAS1922-0200-3	0360 0230 050	1.57	2.36	40	60
NAS1922-0225-3	0360 0230 057	1.85	2.64	47	67
NAS1922-0275-3	0360 0230 072	2.44	3.23	62	82
NAS1922-0350-3	0360 0230 087	3.03	3.82	77	97
NAS1922-0400-3	0360 0230 102	3.62	4.41	92	112
NAS1922-0450-3	0360 0230 117	4.21	5.00	107	127
NAS1922-0525-3	0360 0230 132	4.8	5.59	122	142
NAS1922-0575-3	0360 0230 147	5.39	6.18	137	157
NAS1922-0625-3	0360 0230 162	5.98	6.77	152	172
NAS1922-0700-3	0360 0230 177	6.57	7.36	167	187
NAS1922-0750-3	0360 0230 192	7.17	7.95	182	202
NAS1922-0825-3	0360 0230 207	7.76	8.54	197	217
NAS1922-0875-3	0360 0230 222	8.35	9.13	212	232
NAS1922-0925-3	0360 0230 237	8.94	9.72	227	247
NAS1922-1000-3	0360 0230 252	9.53	10.31	242	262

Note: NAS1922 also available with round slotted screw (shown above).

NAS1924 AIRCRAFT		inches (A)		mm	
Brand PN	Global PN	min	max	min	max
NAS1924-46	0360 0240 030	1	1 3/8	25	35
NAS1924-48	0360 0240 032	1 5/64	29/64	27	12
NAS1924-56	0360 0240 038	1 21/64	1 45/64	34	43
NAS1924-58	0360 0240 040	1 3/8	1 3/4	35	44
NAS1924-66	0360 0240 046	1 5/8	2	41	51
NAS1924-74	0360 0240 052	1 7/8	2 1/4	48	57
NAS1924-82	0360 0240 060	2 1/8	2 1/2	54	64
NAS1924-91	0360 0240 066	2 13/32	2 25/32	61	71
NAS1924-98	0360 0240 071	2 5/8	3	67	76
NAS1924-107	0360 0240 079	2 29/32	3 9/32	74	83
NAS1924-114	0360 0240 084	3 1/8	3 1/2	79	89



# Breeze Hi-Torque

The Hi-Torque is the world's strongest worm-gear clamp and features all-stainless-steel construction.



5/8" Band Width | Inner Liner Available | SAE Standard J1508 Type HD | Diameter Range 1" – 9 1/8"

## HTM / HP HI-TORQUE

5/16" 410 Stainless Steel Hex Screw  
5/8" Band in 300-Series SS  
Two-Piece Housing in 300-Series SS

## HTM L HI-TORQUE W/ LINER

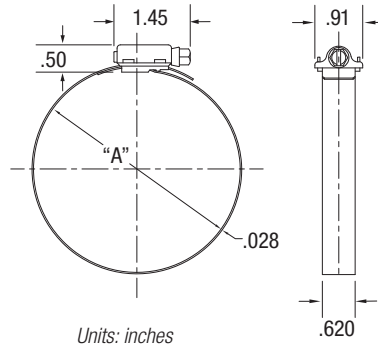
5/16" 410 Stainless Steel Hex Screw  
5/8" Band in 300-Series SS with Liner  
Two-Piece Housing in 300-Series SS

## HP SP HI-TORQUE

5/16" 300-Series SS Hex Screw  
5/8" Band in 300-Series SS  
Two-Piece Housing in 300-Series SS

## HTS / HPS HI-TORQUE

5/16" 316 Stainless Steel Hex Screw  
5/8" Band in 316 Stainless Steel  
Two-Piece Housing in 316 Stainless Steel



SAE	HTM HI-TORQUE		HTM L HI-TORQUE W/LINER		HTS HI-TORQUE		inches (A)		mm	
	Brand PN	Global PN	Brand PN	Global PN	Brand PN	Global PN	min	max	min	max
-	HTM 175	0156 0015 035	HTM 175 L	0156 0021 035	HTS 175	0156 0019 035	1	1 3/4	25	44
212	HTM 200	0156 0015 043	HTM 200 L	0156 0021 043	HTS 200	0156 0019 043	1 1/4	2 1/8	32	54
262	HTM 250	0156 0015 056	HTM 250 L	0156 0021 056	HTS 250	0156 0019 056	1 3/4	2 5/8	45	67
312	HTM 300	0156 0015 068	HTM 300 L	0156 0021 068	HTS 300	0156 0019 068	2 1/4	3 1/8	57	79
362	HTM 350	0156 0015 081	HTM 350 L	0156 0021 081	HTS 350	0156 0019 081	2 3/4	3 5/8	70	92
412	HTM 400	0156 0015 094	HTM 400 L	0156 0021 094	HTS 400	0156 0019 094	3 1/4	4 1/8	83	105
462	HTM 450	0156 0015 106	HTM 450 L	0156 0021 106	HTS 450	0156 0019 106	3 3/4	4 5/8	95	117
512	HTM 500	0156 0015 119	HTM 500 L	0156 0021 119	HTS 500	0156 0019 119	4 1/4	5 1/8	108	130
562	HTM 550	0156 0015 132	HTM 550 L	0156 0021 132	HTS 550	0156 0019 132	4 3/4	5 5/8	121	143
612	HTM 600	0156 0015 144	HTM 600 L	0156 0021 144	HTS 600	0156 0019 144	5 1/4	6 1/8	133	156
662	HTM 650	0156 0015 157	HTM 650 L	0156 0021 157	HTS 650	0156 0019 157	5 3/4	6 5/8	146	168
712	HTM 700	0156 0015 170	HTM 700 L	0156 0021 170	HTS 700	0156 0019 170	6 1/4	7 1/8	159	181
762	HTM 750	0156 0015 183	HTM 750 L	0156 0021 183	HTS 750	0156 0019 183	6 3/4	7 5/8	172	194
812	HTM 800	0156 0015 195	HTM 800 L	0156 0021 195	HTS 800	0156 0019 195	7 1/4	8 1/8	184	206
862	HTM 850	0156 0015 208	HTM 850 L	0156 0006 197	HTS 850	0156 0019 208	7 3/4	8 5/8	197	219
912	HTM 900	0156 0015 221	HTM 900 L	0156 0021 221	HTS 900	0156 0019 221	8 1/4	9 1/8	210	232

## EXTENDED RANGE HI-TORQUE

SAE	HP HI-TORQUE		HP SP HI-TORQUE		HPS HI-TORQUE		inches (A)		mm	
	Brand PN	Global PN	Brand PN	Global PN	Brand PN	Global PN	min	max	min	max
-	HP 2	0156 0015 049	HP 2 SP	0156 0036 050	HPS 2	0156 0019 049	1 1/4	2 5/8	32	67
-	HP 3	0156 0015 079	HP 3 SP	0156 0036 080	HPS 3	0156 0019 079	2 1/8	4 1/8	54	105
-	HP 4	0156 0015 129	HP 4 SP	0156 0036 129	HPS 4	0156 0019 129	4	6 1/8	102	156
-	HP 5	0156 0015 194	HP 5 SP B	0156 0036 194	HPS 5	0156 0019 194	6 1/8	9 1/8	156	232

# Breeze Constant-Torque®



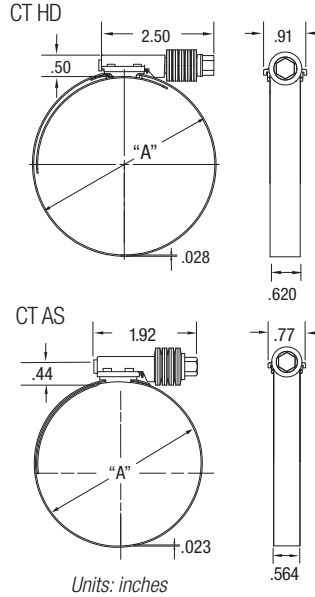
A worm-drive hose clamp that automatically increases or decreases diameter due to changes in temperature.

Extended Inner Liner | Constant-Tension Performance | SAE Standard J1508 Type SLF & SLHD | Diameter Range 9/16" – 9 1/8"

- CONSTANT-TORQUE AS**  
5/16" 410 Stainless Steel Hex Screw  
9/16" Band in 300-Series SS  
Eight Stainless Steel Belleville Washers

- CONSTANT-TORQUE HD**  
3/8" Plated Hex Screw  
5/8" Band in 300-Series SS  
Ten Stainless Steel Belleville Washers

- CONSTANT-TORQUE HD SS**  
3/8" 410 Stainless Steel Hex Screw  
5/8" Band in 300-Series SS  
Ten Stainless Steel Belleville Washers



Units: inches

SAE	CONSTANT-TORQUE AS		inches (A)		mm	
	Brand PN	Global PN	min	max	min	max
10	CT 9410	0362 0302 021	9/16	1 1/16	14	27
12	CT 9412	0362 0302 025	11/16	1 1/4	17	32
16	CT 9416	0362 0302 029	13/16	1 1/2	21	38
20	CT 9420	0362 0302 033	13/16	1 3/4	21	44
24	CT 9424	0362 0302 039	1 1/16	2	27	51
28	CT 9428 B	0362 0302 049	1 5/16	2 1/4	33	57
32	CT 9432 B	0362 0302 052	1 9/16	2 1/2	40	64
36	CT 9436 B	0362 0302 058	1 13/16	2 3/4	46	70
40	CT 9440 B	0362 0302 064	2 1/16	3	52	76
44	CT 9444 B	0362 0302 075	2 5/16	3 1/4	59	83
48	CT 9448 B	0362 0302 077	2 9/16	3 1/2	65	89
52	CT 9452 B	0362 0302 083	2 13/16	3 3/4	71	95

SAE	CONSTANT-TORQUE HD		CONSTANT-TORQUE HD SS		inches (A)		mm	
	Brand PN	Global PN	Brand PN	Global PN	min	max	min	max
28	CT 175 L	0156 0003 035	CT 175 L SS	0156 0005 035	1	1 3/4	25	44
212	CT 200 L	0156 0003 043	CT 200 L SS	0156 0005 043	1 1/4	2 1/8	32	54
262	CT 250 L	0156 0003 056	CT 250 L SS	0156 0005 056	1 3/4	2 5/8	45	67
312	CT 300 L	0156 0003 068	CT 300 L SS	0156 0005 068	2 1/4	3 1/8	57	79
362	CT 350 L	0156 0003 081	CT 350 L SS	0156 0005 081	2 3/4	3 5/8	70	92
412	CT 400 L	0156 0003 094	CT 400 L SS	0156 0005 094	3 1/4	4 1/8	83	105
462	CT 450 L	0156 0003 107	CT 450 L SS	0156 0005 107	3 3/4	4 5/8	95	117
512	CT 500 L	0156 0003 119	CT 500 L SS	0156 0005 119	4 1/4	5 1/8	108	130
562	CT 550 L	0156 0003 132	CT 550 L SS	0156 0005 132	4 3/4	5 5/8	121	143
612	CT 600 L	0156 0003 145	CT 600 L SS	0156 0005 145	5 1/4	6 1/8	133	156
662	CT 650 L	0156 0003 157	CT 650 L SS	0156 0005 157	5 3/4	6 5/8	146	168
712	CT 700 L	0156 0003 170	CT 700 L SS	0156 0005 170	6 1/4	7 1/8	159	181
762	CT 750 L	0156 0003 183	CT 750 L SS	0156 0005 183	6 3/4	7 5/8	172	194
812	CT 800 L	0156 0003 195	CT 800 L SS	0156 0005 195	7 1/4	8 1/8	184	206
862	CT 850 L	0156 0003 208	CT 850 L SS	0156 0005 208	7 3/4	8 5/8	197	219
912	CT 900 L	0156 0003 221	CT 900 L SS	0156 0005 221	8 1/4	9 1/8	210	232

# Breeze Super-Seal



A breakthrough constant tension clamp with dynamic compensation and ultra-secure sealing.

Worm-Drive Closure | Two Screw Options | Recommended Torque 90+/-5 in.-lbs. | Diameter Range 1.42" – 4.64"

## SUPER-SEAL

Plated Hex Screw  
Diameter Range 1.42"–4.64"  
Two-Piece Housing in 304 Stainless Steel

## SUPER-SEAL SS

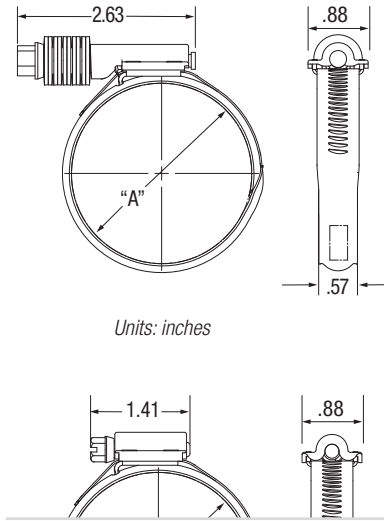
410 Stainless Steel Hex Screw  
Diameter Range 1.42"–4.64"  
Two-Piece Housing in 304 Stainless Steel

## SUPER-SEAL HD

Plated Hex Screw  
Diameter Range 1.42"–4.64"  
Two-Piece Housing in 304 Stainless Steel

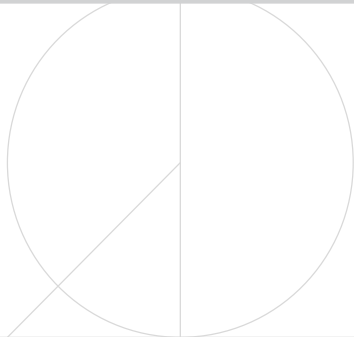
## SUPER-SEAL HD SS

410 Stainless Steel Hex Screw/Ten Belleville Washers  
Diameter Range 1.42"–4.64"  
Two-Piece Housing in 304 Stainless Steel



SUPER-SEAL		SUPER-SEAL SS		inches (A)		mm	
Global PN		Global PN		min	max	min	max
0635 0006 038	0635 0004 038	1.42	1.65	36	42		
0635 0002 046	0635 0000 046	1.57	2.17	40	55		
0635 0002 058	0635 0000 058	2.04	2.63	52	67		
0635 0002 071	0635 0000 071	2.55	3.15	65	80		
0635 0002 087	0635 0000 087	3.03	3.89	77	99		
0635 0002 106	0635 0000 106	3.78	4.64	96	118		

SUPER-SEAL HD		SUPER-SEAL HD SS		inches (A)		mm	
Global PN		Global PN		min	max	min	max
0635 0007 038	0635 0005 038	1.42	1.65	36	42		
0635 0003 046	0635 0001 046	1.57	2.17	40	55		
0635 0003 058	0635 0001 058	2.04	2.63	52	67		
0635 0003 071	0635 0001 071	2.55	3.15	65	80		
0635 0003 087	0635 0001 087	3.03	3.89	77	99		
0635 0003 106	0635 0001 106	3.78	4.64	96	118		





# Breeze T-Bolt

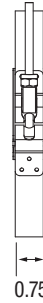
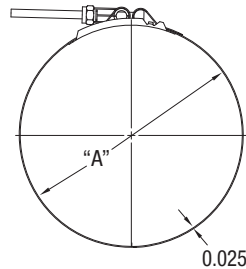
A stainless steel clamp performance-engineered for long-term durability and a wide variety of applications.



3/4" Band Width | Floating Bridge | SAE Standard J1508 Type TB | Diameter Range 1 1/4" – 8 13/16"

**TB**  
1/4"-28 Plated Bolt  
3/4" Band in 300-Series SS  
Floating Bridge

**TB SS**  
1/4"-28 300-Series SS Bolt  
3/4" Band in 300-Series SS  
Floating Bridge



Units: inches



SAE	TB		TB SS		inches (A)		mm	
	Brand PN	Global PN	Brand PN	Global PN	min	max	min	max
–	TB 125	0363 0000 034	TB 125 SS	0363 0001 034	1 1/4	1 7/16	32	37
–	TB 138	0363 0000 035	TB 138 SS	0363 0001 035	1 3/8	1 9/16	35	40
–	TB 150	0363 0000 038	TB 150 SS	0363 0001 038	1 1/2	1 5/8	38	41
–	TB 163	0363 0000 044	TB 163 SS	0363 0001 041	1 5/8	1 7/8	41	48
28	TB 175	0363 0017 048	TB 175 SS	0363 0018 048	1 3/4	2	44	51
32	TB 188	0363 0017 052	TB 188 SS	0363 0018 052	1 7/8	2 3/16	48	56
36	TB 200	0363 0017 055	TB 200 SS	0363 0018 055	2	2 5/16	51	59
40	TB 213	0363 0017 058	TB 213 SS	0363 0018 058	2 1/8	2 7/16	54	62
44	TB 225	0363 0017 061	TB 225 SS	0363 0018 061	2 1/4	2 9/16	57	65
48	TB 238	0363 0017 064	TB 238 SS	0363 0018 064	2 3/8	2 11/16	60	68
52	TB 250	0363 0017 068	TB 250 SS	0363 0018 068	2 1/2	2 13/16	64	71
56	TB 263	0363 0017 071	TB 263 SS	0363 0018 071	2 5/8	2 15/16	67	75
60	TB 275	0363 0017 074	TB 275 SS	0363 0018 074	2 3/4	3 1/16	70	78
64	TB 288	0363 0017 077	TB 288 SS	0363 0018 077	2 7/8	3 3/16	73	81
68	TB 300	0363 0017 080	TB 300 SS	0363 0018 080	3	3 5/16	76	84
72	TB 313	0363 0017 084	TB 313 SS	0363 0018 084	3 1/8	3 7/16	79	87
76	TB 325	0363 0017 087	TB 325 SS	0363 0018 087	3 1/4	3 9/16	83	90
80	TB 338	0363 0017 090	TB 338 SS	0363 0018 090	3 3/8	3 11/16	86	94
84	TB 350	0363 0017 093	TB 350 SS	0363 0018 093	3 1/2	3 13/16	89	97
88	TB 363	0363 0017 096	TB 363 SS	0363 0018 096	3 5/8	3 15/16	92	100
92	TB 375	0363 0017 099	TB 375 SS	0363 0018 099	3 3/4	4 1/16	95	103
100	TB 400	0363 0017 106	TB 400 SS	0363 0018 106	4	4 5/16	102	110
108	TB 425	0363 0017 112	TB 425 SS	0363 0018 112	4 1/4	4 9/16	108	116
116	TB 450	0363 0017 118	TB 450 SS	0363 0018 118	4 1/2	4 13/16	114	122
124	TB 475	0363 0017 125	TB 475 SS	0363 0018 125	4 3/4	5 1/16	121	129
132	TB 500	0363 0017 131	TB 500 SS	0363 0018 131	5	5 5/16	127	135
140	TB 525	0363 0017 137	TB 525 SS	0363 0018 137	5 1/4	5 9/16	133	141
148	TB 550	0363 0017 144	TB 550 SS	0363 0018 144	5 1/2	5 13/16	140	148
156	TB 575	0363 0017 150	TB 575 SS	0363 0018 150	5 3/4	6 1/16	146	154
164	TB 600	0363 0017 156	TB 600 SS	0363 0018 156	6	6 5/16	152	160
172	TB 625	0363 0017 163	TB 625 SS	0363 0018 163	6 1/4	6 9/16	159	167
180	TB 650	0363 0017 169	TB 650 SS	0363 0018 169	6 1/2	6 13/16	165	173
188	TB 675	0363 0017 175	TB 675 SS	0363 0018 175	6 3/4	7 1/16	171	179
196	TB 700	0363 0017 182	TB 700 SS	0363 0018 182	7	7 5/16	178	186
204	TB 725	0363 0017 188	TB 725 SS	0363 0018 188	7 1/4	7 9/16	184	192
212	TB 750	0363 0017 195	TB 750 SS	0363 0018 195	7 1/2	7 13/16	191	198
220	TB 775	0363 0017 201	TB 775 SS	0363 0018 201	7 3/4	8 1/16	197	205
228	TB 800	0363 0017 207	TB 800 SS	0363 0018 207	8	8 5/16	203	211
236	TB 825	0363 0017 214	TB 825 SS	0363 0018 214	8 1/4	8 9/16	210	217
244	TB 850	0363 0017 220	TB 850 SS	0363 0018 220	8 1/2	8 13/16	216	224

Note: SAE sizes 64 and smaller have a bent bolt.

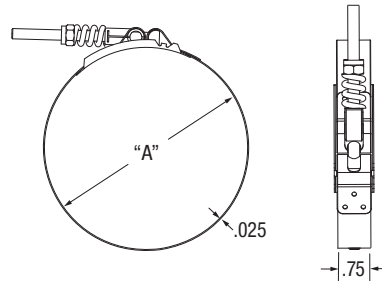
# Breeze Spring-Loaded T-Bolt



A constant-tension clamp with a spring designed for a variety of automotive, industrial, and marine applications.

3/4" Band Width | Floating Bridge | Standard Spring | SAE Standard J1508 Type SLTB | Diameter Range 1 3/4" – 7 13/16"

**B9226 SPRING-LOADED T-BOLT**  
 3/4" Band in 300-Series SS  
 1/4" - 28 Plated Bolt  
 Standard Spring for Constant-Tension



Units: inches



SAE	B9226 SPRING-LOADED T-BOLT		inches (A)		mm	
	Brand PN	Global PN	min	max	min	max
28	B9226-0175 B	0363 0006 048	1 3/4	2	44	51
36	B9226-0200 B	0363 0006 055	2	2 5/16	51	59
38	B9226-0206	0363 0006 056	2 1/16	2 3/8	52	60
40	B9226-0213 B	0363 0006 058	2 1/8	2 7/16	54	62
44	B9226-0225 B	0363 0006 061	2 1/4	2 9/16	57	65
48	B9226-0238 B	0363 0006 064	2 3/8	2 11/16	60	68
52	B9226-0250 B	0363 0006 068	2 1/2	2 13/16	64	71
54	B9226-0256	0363 0006 069	2 9/16	2 7/8	65	73
56	B9226-0263 B	0363 0006 071	2 5/8	2 15/16	67	75
58	B9226-0269 B	0363 0006 072	2 11/16	3	68	76
60	B9226-0275 B	0363 0006 074	2 3/4	3 1/16	70	78
62	B9226-0281 B	0363 0006 075	2 13/16	3 1/8	71	79
64	B9226-0288 B	0363 0006 077	2 7/8	3 3/16	73	81
66	B9226-0294 B	0363 0006 079	2 15/16	3 1/4	75	83
68	B9226-0300 B	0363 0006 080	3	3 5/16	76	84
70	B9226-0306	0363 0006 082	3 1/16	3 3/8	78	86
72	B9226-0313 B	0363 0006 084	3 1/8	3 7/16	79	87
76	B9226-0325 B	0363 0006 087	3 1/4	3 9/16	83	90
78	B9226-0331 B	0363 0006 088	3 5/16	3 5/8	84	92
80	B9226-0338 B	0363 0006 090	3 3/8	3 9/16	86	94
82	B9226-0344 B	0363 1006 091	3 7/16	3 3/4	87	95
86	B9226-0356	0363 0006 094	3 9/16	3 7/8	90	98
88	B9226-0363 B	0363 0006 096	3 5/8	3 15/16	92	100
90	B9226-0369 B	0363 0006 098	3 11/16	4	94	102
92	B9226-0375 B	0363 0006 099	3 3/4	4 1/16	95	103
96	B9226-0388 B	0363 0006 103	3 7/8	4 3/16	98	106
102	B9226-0406	0363 0006 107	4 1/16	4 3/8	103	111
104	B9226-0413 B	0363 0006 109	4 1/8	4 7/16	105	113

SAE	B9226 SPRING-LOADED T-BOLT		inches (A)		mm	
	Brand PN	Global PN	min	max	min	max
106	B9226-0419 B	0363 0006 110	4 3/16	4 1/2	106	114
108	B9226-0425 B	0363 0006 112	4 1/4	4 9/16	108	116
110	B9226-0431 B	0363 0006 113	4 5/16	4 5/8	110	117
114	B9226-0444 B	0363 0006 117	4 7/16	4 3/4	113	121
116	B9226-0450 B	0363 0006 118	4 1/2	4 13/16	114	122
118	B9226-0456	0363 0006 120	4 9/16	4 7/8	116	124
128	B9226-0488 B	0363 0006 128	4 7/8	5 3/16	124	132
130	B9226-0494 B	0363 0006 130	4 15/16	5 1/4	126	133
132	B9226-0500 B	0363 0006 131	5	5 5/16	127	135
134	B9226-0506 B	0363 1006 133	5 1/16	5 3/8	129	137
140	B9226-0525	0363 0006 137	5 1/4	5 9/16	133	141
142	B9226-0531 B	0363 0006 139	5 5/16	5 5/8	135	143
144	B9226-0538 B	0363 0006 141	5 3/8	5 11/16	137	144
146	B9226-0544 B	0363 0006 142	5 7/16	5 3/4	138	146
148	B9226-0550 B	0363 0006 144	5 1/2	5 13/16	140	148
156	B9226-0575 B	0363 0006 150	5 3/4	6 1/16	146	154
166	B9226-0606	0363 0006 158	6 1/16	6 3/8	154	162
172	B9226-0625	0363 0006 163	6 1/4	6 9/16	159	167
174	B9226-0631 B	0363 0006 164	6 5/16	6 5/8	160	168
176	B9226-0638 B	0363 0006 166	6 3/8	6 11/16	162	170
178	B9226-0644	0363 0006 168	6 7/16	6 3/4	164	171
180	B9226-0650 B	0363 0006 169	6 1/2	6 13/16	165	173
184	B9226-0663 B	0363 0006 172	6 5/8	6 15/16	168	176
196	B9226-0700 B	0363 0006 182	7	7 5/16	178	186
204	B9226-0725 B	0363 0006 188	7 1/4	7 9/16	184	192
208	B9226-0738 B	0363 0000 187	7 3/8	7 11/16	187	195
212	B9226-0750 B	0363 0006 195	7 1/2	7 13/16	191	198

Note: SAE sizes 66 and smaller have a bent bolt.

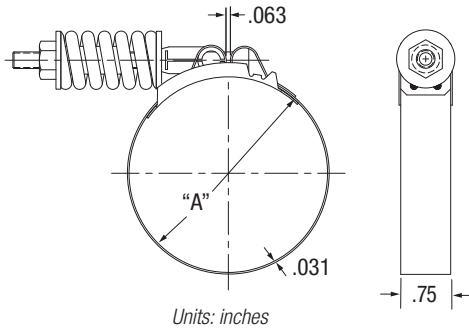
# Breeze HD Spring-Loaded T-Bolt



A constant-tension clamp with a spring designed for a variety of automotive, industrial, and marine applications.

3/4" Band Width | Floating Bridge | Heavy-Duty Spring | SAE Standard J1508 Type SLTB | Diameter Range 2 1/16" – 8 5/8"

**B9224 HD SPRING-LOADED T-BOLT**  
 3/4" Band in 300-Series SS  
 1/4"- 28 Plated Bolt  
 Heavy-Duty Spring for Constant-Tension



Units: inches



SAE	B9224 HD SPRING-LOADED T-BOLT		inches (A)		mm	
	Brand PN	Global PN	min	max	min	max
38	B9224-0206 B	0363 0004 056	2 1/16	2 3/8	52	60
40	B9224-0213 B	0363 0004 058	2 1/8	2 7/16	54	62
42	B9224-0219 B	0363 0004 060	2 3/16	2 1/2	56	64
44	B9224-0225 B	0363 0004 061	2 1/4	2 9/16	57	65
46	B9224-0231 B	0363 0004 063	2 5/16	2 5/8	59	67
48	B9224-0238 B	0363 0004 064	2 3/8	2 11/16	60	68
50	B9224-0244 B	0363 0004 066	2 7/16	2 3/4	62	70
52	B9224-0250 B	0363 0004 068	2 1/2	2 13/16	64	71
54	B9224-0256 B	0363 0004 069	2 9/16	2 7/8	65	73
56	B9224-0263 B	0363 0004 071	2 5/8	2 15/16	67	75
58	B9224-0269 B	0363 0004 072	2 11/16	3	68	76
60	B9224-0275 B	0363 0004 074	2 3/4	3 1/16	70	78
62	B9224-0281 B	0363 0004 075	2 13/16	3 1/8	71	79
68	B9224-0300 B	0363 0004 080	3	3 5/16	76	84
70	B9224-0306	0363 0004 082	3 1/16	3 3/8	78	86
72	B9224-0313	0363 0004 084	3 1/8	3 7/16	79	87
74	B9224-0319 B	0363 0004 085	3 3/16	3 1/2	81	89
76	B9224-0325 B	0363 0003 083	3 1/4	3 9/16	83	90
78	B9224-0331 B	0363 0004 088	3 5/16	3 5/8	84	92
80	B9224-0338	0363 0004 090	3 3/8	3 11/16	86	94
82	B9224-0344	0363 0204 091	3 7/16	3 3/4	87	95
84	B9224-0350 B	0363 0004 093	3 1/2	3 13/16	90	97
86	B9224-0356	0363 0004 094	3 9/16	3 7/8	90	98
88	B9224-0363	0363 0004 096	3 5/8	3 15/16	92	100
90	B9224-0369 B	0363 0004 098	3 11/16	4	94	102

SAE	B9224 HD SPRING-LOADED T-BOLT		inches (A)		mm	
	Brand PN	Global PN	min	max	min	max
92	B9224-0375 B	0363 0004 099	3 3/4	4 1/16	95	103
94	B9224-0381 B	0375 0000 097	3 13/16	4 1/8	97	105
96	B9224-0388	0363 0004 103	3 7/8	4 3/16	98	106
102	B9224-0406	0363 0004 107	4 1/16	4 3/8	103	111
104	B9224-0413	0363 0004 109	4 1/8	4 7/16	105	113
106	B9224-0419 B	0363 0004 110	4 3/16	4 1/2	106	114
108	B9224-0425 B	0363 0004 112	4 1/4	4 9/16	108	116
110	B9224-0431 B	0363 0004 113	4 5/16	4 5/8	110	117
112	B9224-0438	0363 0004 115	4 3/8	4 11/16	111	119
116	B9224-0450 B	0363 0004 118	4 1/2	4 13/16	114	122
118	B9224-0456	0363 0004 120	4 9/16	4 7/8	116	124
128	B9224-0488 B	0363 0004 128	4 7/8	5 3/16	124	132
132	B9224-0500 B	0363 0004 131	5	5 5/16	127	135
140	B9224-0525 B	0363 0004 137	5 1/4	5 9/16	133	141
142	B9224-0531 B	0363 0000 135	5 5/16	5 5/8	135	143
144	B9224-0538 B	0363 0004 141	5 3/8	5 11/16	137	144
158	B9224-0581 B	0363 0000 148	5 13/16	6 1/8	148	156
164	B9224-0600 B	0363 0004 156	6	6 5/16	152	160
172	B9224-0625	0363 0004 163	6 1/4	6 9/16	159	167
174	B9224-0631 B	0363 0000 160	6 5/16	6 5/8	160	168
176	B9224-0638	0363 0004 166	6 3/8	6 11/16	162	170
204	B9224-0725 B	0363 0004 188	7 1/4	7 9/16	184	192
206	B9224-0731 B	0363 0000 186	7 5/16	7 5/8	186	194
212	B9224-0750 B	0363 0004 195	7 1/2	7 13/16	191	198
238	B9224-0831 B	0363 0000 211	8 5/16	8 5/8	211	219

Note: SAE sizes 66 and smaller have a bent bolt.

# Breeze V-Band



V-Band clamps provide fast, secure high-strength coupling to connect flanged joints.

40-Degree Insert Angle | Welded Band Construction | Nominal Diameter Range 2.11" – 14"

## T-BOLT V-BAND

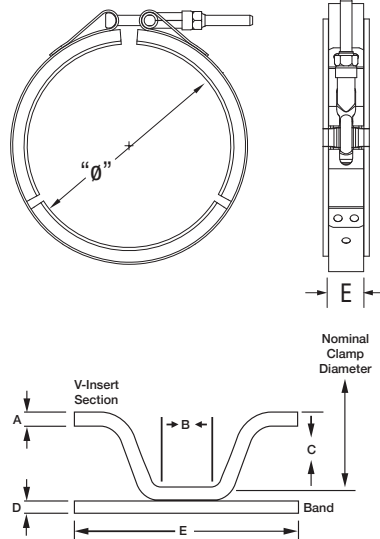
400-Series SS Bolt  
300-Series SS Band  
300-Series SS Insert

## AERO-SEAL V-BAND

400-Series SS Thumb Wing Screw  
9/16" 300-Series SS Band  
300-Series SS Insert

## QUICK-LATCH V-BAND

400-Series SS Bolt  
300-Series SS Band  
300-Series SS Insert



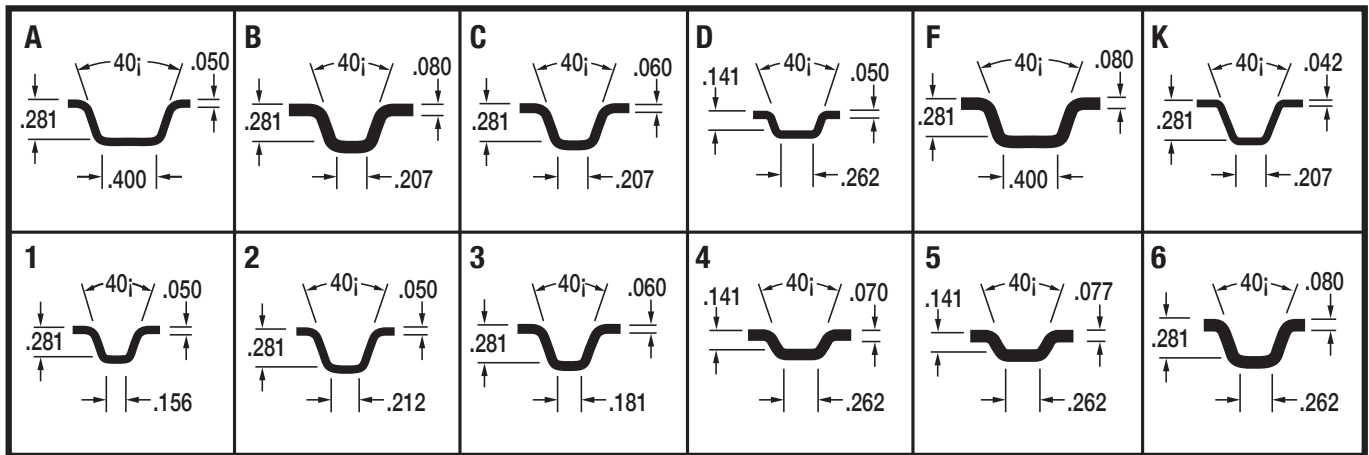
T-BOLT V-BAND		Nominal Diameter (Ø)		Insert Thickness (A)		Insert Apex Width (B)		Insert Depth (C)		Band Thickness (D)		Band Width (E)	
Brand PN	Global PN	in	mm	in	mm	in	mm	in	mm	in	mm	in	mm
VT10288	0365 1600 724	2.88	73.2	0.060	1.52	0.207	5.26	0.281	7.14	0.035	0.89	0.750	19.05
VT10321	0365 0431 082	3.21	81.5	0.050	1.27	0.262	6.65	0.141	3.58	0.035	0.89	0.750	19.05
VT10350	0365 1680 889	3.50	88.9	0.080	2.03	0.207	5.26	0.281	7.14	0.040	1.02	0.875	22.23
VT10382	0365 0431 097	3.82	97.0	0.077	1.96	0.207	5.26	0.281	7.14	0.040	1.02	0.875	22.23
VT10388	0365 0431 099	3.88	98.6	0.050	1.27	0.400	10.16	0.281	7.14	0.040	1.02	0.875	22.23
VT10406	0365 0431 103	4.06	103.1	0.077	1.96	0.239	6.07	0.281	7.14	0.050	1.27	0.875	22.23
VT10413	0365 0431 105	4.13	104.9	0.050	1.27	0.262	6.65	0.141	3.58	0.035	0.89	0.750	19.05
VT10419	0365 0402 106	4.19	106.4	0.050	1.27	0.400	10.16	0.281	7.14	0.040	1.02	0.875	22.23
VT10425	0365 3402 108	4.25	108.0	0.050	1.27	0.400	10.16	0.281	7.14	0.040	1.02	0.875	22.23
VT10450	0365 1601 143	4.50	114.3	0.050	1.27	0.262	6.65	0.141	3.58	0.035	0.89	0.750	19.05
VT10450-A	0365 0431 114	4.50	114.3	0.077	1.96	0.207	5.26	0.281	7.14	0.040	1.02	0.875	22.23
VT10461	0365 0431 117	4.61	117.1	0.050	1.27	0.156	3.96	0.218	5.54	0.035	0.89	0.750	19.05
VT10469	0365 0431 119	4.69	119.1	0.050	1.27	0.400	10.16	0.281	7.14	0.040	1.02	0.875	22.23
VT10475	0365 0431 121	4.75	120.7	0.050	1.27	0.400	10.16	0.281	7.14	0.040	1.02	0.875	22.23
VT10475-A	0365 0434 121	4.75	120.7	0.077	1.96	0.158	4.01	0.310	7.87	0.040	1.02	0.875	22.23
VT10481	0365 0431 122	4.81	122.2	0.077	1.96	0.207	5.26	0.281	7.14	0.040	1.02	0.875	22.23
VT10491	0365 1681 247	4.91	124.7	0.040	1.02	0.293	7.44	0.296	7.52	0.050	1.27	0.875	22.23
VT10494	0365 0431 125	4.94	125.5	0.060	1.52	0.181	4.60	0.281	7.14	0.035	0.89	0.750	19.05
VT10510	0365 1681 295	5.10	129.5	0.050	1.27	0.262	6.65	0.141	3.58	0.035	0.89	0.750	19.05
VT10525	0365 0431 133	5.25	133.4	0.050	1.27	0.262	6.65	0.141	3.58	0.035	0.89	0.750	19.05
VT10530	0365 1681 346	5.30	134.6	0.050	1.27	0.262	6.65	0.141	3.58	0.035	0.89	0.750	19.05
VT10565	0365 1681 435	5.65	143.5	0.050	1.27	0.262	6.65	0.141	3.58	0.035	0.89	0.750	19.05
VT10581	0365 1681 476	5.81	147.6	0.077	1.96	0.207	5.26	0.281	7.14	0.062	1.57	0.875	22.23
VT10588	0365 1681 494	5.88	149.4	0.050	1.27	0.400	10.16	0.281	7.14	0.040	1.02	0.875	22.23
VT10588-1	0365 1601 494	5.88	149.4	0.050	1.27	0.400	10.16	0.281	7.14	-	-	-	-
VT10592	0365 0431 150	5.92	150.4	0.090	2.29	0.293	7.44	0.296	7.52	0.050	1.27	0.875	22.23
VT10688	0365 1681 748	6.88	174.8	0.060	1.52	0.400	10.16	0.281	7.14	0.040	1.02	0.875	22.23
VT10808	0365 1682 052	8.08	205.2	0.050	1.27	0.262	6.65	0.141	3.58	0.035	0.89	0.750	19.05
VT11100B03-4HG B	0373 0000 279	11.00	279.4	0.080	2.03	0.207	5.26	0.281	7.14	0.050	1.27	0.875	22.23
VT11200B03-4HG B	0373 0002 305	12.00	304.8	0.080	2.03	0.207	5.26	0.281	7.14	0.050	1.27	0.875	22.23
VT11400B03-4HG B	0373 0001 356	14.00	355.6	0.080	2.03	0.207	5.26	0.281	7.14	0.050	1.27	0.875	22.23



AERO-SEAL V-BAND		Nominal Diameter (Ø)		Insert Thickness (A)		Insert Apex Width (B)		Insert Depth (C)		Band Thickness (D)		Band Width (E)	
Brand PN	Global PN	in	mm	in	mm	in	mm	in	mm	in	mm	in	mm
VA10211D03-3A B	0365 0201 054	2.11	53.6	0.050	1.27	0.262	6.65	0.141	3.58	0.023	0.58	0.564	14.33
VA10264D03-3A B	0365 0201 067	2.64	67.1	0.050	1.27	0.262	6.65	0.141	3.58	0.023	0.58	0.564	14.33
VA10317D03-3A B	0365 0201 081	3.17	80.6	0.050	1.27	0.262	6.65	0.141	3.58	0.023	0.58	0.564	14.33
VA10370D03-3A B	0365 0201 094	3.70	94.1	0.050	1.27	0.262	6.65	0.141	3.58	0.023	0.58	0.564	14.33
VA10485D03-3A B	0365 0201 123	4.85	123.2	0.050	1.27	0.262	6.65	0.141	3.58	0.023	0.58	0.564	14.33

QUICK-LATCH V-BAND		Nominal Diameter (Ø)		Insert Thickness (A)		Insert Apex Width (B)		Insert Depth (C)		Band Thickness (D)		Band Width (E)	
Brand PN	Global PN	in	mm	in	mm	in	mm	in	mm	in	mm	in	mm
90-0011	0365 5001 081	3.18	80.8	0.060	1.52	0.207	5.26	0.281	7.14	0.040	1.02	0.750	19.05
90-0014	0365 0100 095	3.73	94.7	0.120	3.00	0.400	10.16	0.281	7.14	0.050	1.30	0.875	22.23
90-0012	0365 5001 121	4.75	120.7	0.050	1.27	0.400	10.16	0.281	7.14	0.040	1.02	0.750	19.05
90-0013	0365 5001 149	5.88	149.4	0.050	1.27	0.400	10.16	0.281	7.14	0.040	1.02	0.750	19.05

## Standard V-Band Segment Options



Note: V-Band profiles shown above represent the most commonly used segment configurations.

## Typical V-Band Applications

- Turbocharger Connections
- Diaphragm Pumps
- Diesel Exhaust
- Pool/Spa Filters and Pumps
- Food Processing/Dairy Equipment

# Merchandising Display Racks

These durable display racks complement and accommodate Breeze brand clamps as versatile counter top or hanging displays. Available with a variety of product assortment options to meet your needs.

## 6000 EMPTY RACK and Assortments

Full Diameter Coverage | Less Shelf Space | Mounting Versatility | Sturdy Construction | 22"W x 23"H x 8"D

6000 EMPTY RACK HD	PN 1047 0000 138
Description	QTY
6000 EMPTY RACK HD	1

6000 EMPTY RACK BZ	PN 1047 0000 139
Description	QTY
6000 EMPTY RACK BZ	1

62420 ASSORTMENT WL	PN 0361 0016 000
Description	QTY
6000 EMPTY RACK	1
3704 CC Mini	60
3706 CC Mini	60
62006H CC Power-Seal	30
62008H CC Power-Seal	30
62010H CC Power-Seal	70
62012H CC Power-Seal	70
62016H CC Power-Seal	40
62020H CC Power-Seal	20
62024H CC Power-Seal	10
62028H CC Power-Seal	10
62032H CC Power-Seal	10
62036H CC Power-Seal	10

62440 ASSORTMENT	PN 0361 0008 000
Description	QTY
6000 EMPTY RACK	1
3504 Mini	60
3506 Mini	20
4000 Make-A-Clamp	5
62006H Power-Seal	20
62008H Power-Seal	20
62010H Power-Seal	60
62012H Power-Seal	60
62016H Power-Seal	50
62020H Power-Seal	50
62024H Power-Seal	50
62028H Power-Seal	10
62032H Power-Seal	10
62036H Power-Seal	10
HP 2 B Hi-Torque	5
HP 3 B Hi-Torque	5
HP 4 B Hi-Torque	5



6130 ASSORTMENT HD	PN 0361 0005 000	
Description	Applications	QTY
6000 EMPTY RACK		1
CT 9410 Constant-Torque AS	Heater Hose 1/2-5/8	10
CT 9412 Constant-Torque AS	Heater Hose 3/4	10
CT 9416 Constant-Torque AS	Coolant 7/8-1	10
CT 9420 Constant-Torque AS	Coolant 1 1/8-1 1/4	10
CT 9424 Constant-Torque AS	Coolant 1 3/8-1 1/2	10
CT 250 L SS Constant-Torque HD	Coolant 1 3/4-2 1/8	10
CT 300 L SS Constant-Torque HD	Coolant 2 1/4-2 5/8	10
CT 350 L SS Constant-Torque HD	Coolant 2 3/4-3	10
HP 3 Hi-Torque	Air Intake 2 1/4-3 1/2	10
HP 4 Hi-Torque	Air Intake 4-5 1/2	10
HP 5 Hi-Torque	Air Intake 6-8	10
B9226-0406 Spring-Loaded T-Bolt	4" Charge-Air Cooling	10
B9224-0406 HD Spring-Loaded T-Bolt	Air-to-Air Aftercooling	10



## So Much More than Just a Box!

Breeze brand merchandise carries a powerful marketing message in its packaging. Professional product photography is incorporated into a dynamic design that also has descriptive copy in three languages to communicate the product benefits to the widest possible audience. It is an eye-catching sales tool that works wherever it is displayed. When used in conjunction with our product racks, the handsome merchandising sets our products apart – and helps boost your sales!

## 6100 EMPTY RACK and Assortments

Full Diameter Coverage | Less Shelf Space | Two Assortment Options | Sturdy Construction | 14"W x 18"H x 8"D

### 6100 EMPTY RACK HD PN 1047 0000 140

Description	QTY
6100 EMPTY RACK	1

### 9150 ASSORTMENT HD PN 0361 0004 000

Description	QTY
6100 EMPTY RACK	1
9210H Liner	20
9212H Liner	20
9216H Liner	10
9220H Liner	20
9224H Liner	20
9228H Liner	10
9232H Liner	10
9236H Liner	10
9240H Liner	10
9244H Liner	20

### 6300 ASSORTMENT PN 0361 0006 000

Description	QTY
6100 EMPTY RACK	1
3504 Mini	60
3506 Mini	60
62010H Power-Seal	50
62012H Power-Seal	50
62020H Power-Seal	20
62024H Power-Seal	20
62028H Power-Seal	20
62032H Power-Seal	10
62036H Power-Seal	10



## 6200 EMPTY RACK and Assortments

Full Diameter Coverage | Less Shelf Space | Mounting Versatility | Sturdy Construction | 22"W x 17"H x 6"D

### 6200 EMPTY RACK PN 1047 0000 134

Description	QTY
6200 EMPTY RACK	1

### 6210 ASSORTMENT PN 0361 0001 000

Description	QTY
6200 EMPTY RACK	1
3504 Mini	30
3506 Mini	30
62010H Power-Seal	20
62012H Power-Seal	20
62020H Power-Seal	20
62024H Power-Seal	20
62028H Power-Seal	20
62032H Power-Seal	20
62036H Power-Seal	20

### 6210 ASSORTMENT OR PN 0361 0015 000

Description	QTY
6200 EMPTY RACK	1
3604 CC Mini	30
3606 CC Mini	30
64010H CC Power-Seal	20
64012H CC Power-Seal	20
64020H CC Power-Seal	20
64024H CC Power-Seal	20
64028H CC Power-Seal	20
64032H CC Power-Seal	20
64036H CC Power-Seal	20

### 62300 ASST CC PN 0361 0012 000

Description	QTY
6200 EMPTY RACK	1
3504 CC Mini	60
3506 CC Mini	60
62010H CC Power-Seal	50
62012H CC Power-Seal	50
62020H CC Power-Seal	40
62028H CC Power-Seal	20
62036H CC Power-Seal	20

